



Installation Instructions

New Construction Installation Instructions

- Preparations:** All framing members must conform to present industry standards.
- Set window in rough opening from outside with nailing fin overlapping exterior sheathing. Provide a continuous bead of sealant between the nailing fin and exterior sheathing. Press the fin into the sealant before nailing. Center window within rough opening. Partially secure one corner with a 1 3/4" long roofing nail driven through pre-drilled nailing fin.
- Level window by shimming under side jambs at sill if necessary. Then nail through opposite corner of nailing fin (**Figure 1**).

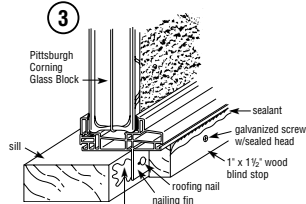
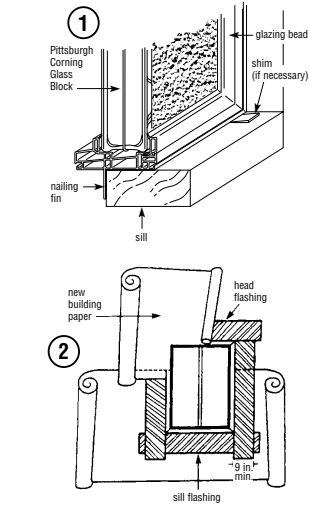
- Plumb side jamb of window. Be sure to check both side-to-side and front-to-back. Shim if necessary. Always use pre-drilled holes for nailing. Secure window with 1 3/4" long roofing nails 3" to 6" from each corner and no more than 9" on center in between.
- Install 9" flashing strips over the nailing fins as shown in **Figure 2**. Apply underlayment (such as building paper) in a shingled (overlapping) pattern or follow industry standards for window flashing.
- In areas where the design windload is over 55 psf, the nailing fin must be additionally secured with a 1" x 1 1/2" wood blind stop around the entire perimeter (**Figure 3**). Secure blind stop with #8 x 2" long galvanized screws 3" from each corner and no more than 8" on center in between.
- After exterior siding or brick is applied, caulk around perimeter of window unit. (When brick veneer is used as exterior finish, adequate clearance must be left for caulking between window sill and masonry. This will prevent damage and bowing of sill caused by shrinkage and setting of structural lumber.)

*Nominal Glass Block Panel Size	Required Rough Opening Size (width x height)	*Nominal Glass Block Panel Size	Required Rough Opening Size (width x height)	*Nominal Glass Block Panel Size	Required Rough Opening Size (width x height)
8" x 16"	9 13/16" x 17 5/8"	24" x 64"	25 3/8" x 64 5/16"	48" x 40"	48 3/4" x 40 15/16"
8" x 24"	9 13/16" x 25 3/8"	24" x 72"	25 3/8" x 72 1/8"	48" x 48"	48 3/4" x 48 3/4"
8" x 32"	9 13/16" x 33 3/16"	24" x 80"	25 3/8" x 79 7/8"	48" x 56"	48 3/4" x 56 9/16"
8" x 40"	9 13/16" x 40 15/16"	32" x 8"	33 3/16" x 9 13/16"	48" x 64"	48 3/4" x 64 5/16"
8" x 48"	9 13/16" x 48 3/4"	32" x 16"	33 3/16" x 17 5/8"	56" x 8"	56 9/16" x 9 13/16"
8" x 56"	9 13/16" x 56 9/16"	32" x 24"	33 3/16" x 25 3/8"	56" x 16"	56 9/16" x 17 5/8"
8" x 64"	9 13/16" x 64 5/16"	32" x 32"	33 3/16" x 33 3/16"	56" x 24"	56 9/16" x 25 3/8"
8" x 72"	9 13/16" x 72 1/8"	32" x 40"	33 3/16" x 40 15/16"	56" x 32"	56 9/16" x 33 3/16"
8" x 80"	9 13/16" x 79 7/8"	32" x 48"	33 3/16" x 48 3/4"	56" x 40"	56 9/16" x 40 15/16"
16" x 8"	17 5/8" x 9 13/16"	32" x 56"	33 3/16" x 56 9/16"	56" x 48"	56 9/16" x 48 3/4"
16" x 16"	17 5/8" x 17 5/8"	32" x 64"	33 3/16" x 64 5/16"	56" x 56"	56 9/16" x 56 9/16"
16" x 24"	17 5/8" x 25 3/8"	32" x 72"	33 3/16" x 72 1/8"	64" x 8"	64 5/16" x 9 13/16"
16" x 32"	17 5/8" x 33 3/16"	32" x 80"	33 3/16" x 79 7/8"	64" x 16"	64 5/16" x 17 5/8"
16" x 40"	17 5/8" x 40 15/16"	40" x 8"	40 15/16" x 9 13/16"	64" x 24"	64 5/16" x 25 3/8"
16" x 48"	17 5/8" x 48 3/4"	40" x 16"	40 15/16" x 17 5/8"	64" x 32"	64 5/16" x 33 3/16"
16" x 56"	17 5/8" x 56 9/16"	40" x 24"	40 15/16" x 25 3/8"	64" x 40"	64 5/16" x 40 15/16"
16" x 64"	17 5/8" x 64 5/16"	40" x 32"	40 15/16" x 33 3/16"	64" x 48"	64 5/16" x 48 3/4"
16" x 72"	17 5/8" x 72 1/8"	40" x 40"	40 15/16" x 40 15/16"	72" x 8"	72 1/8" x 9 13/16"
16" x 80"	17 5/8" x 79 7/8"	40" x 48"	40 15/16" x 48 3/4"	72" x 16"	72 1/8" x 17 5/8"
24" x 8"	25 3/8" x 9 13/16"	40" x 56"	40 15/16" x 56 9/16"	72" x 24"	72 1/8" x 25 3/8"
24" x 16"	25 3/8" x 17 5/8"	40" x 64"	40 15/16" x 64 5/16"	72" x 32"	72 1/8" x 33 3/16"
24" x 24"	25 3/8" x 25 3/8"	40" x 72"	40 15/16" x 72 1/8"	72" x 40"	72 1/8" x 40 15/16"
24" x 32"	25 3/8" x 33 3/16"	48" x 8"	48 3/4" x 9 13/16"	80" x 8"	79 7/8" x 9 13/16"
24" x 40"	25 3/8" x 40 15/16"	48" x 16"	48 3/4" x 17 5/8"	80" x 16"	79 7/8" x 17 5/8"
24" x 48"	25 3/8" x 48 3/4"	48" x 24"	48 3/4" x 25 3/8"	80" x 24"	79 7/8" x 25 3/8"
24" x 56"	25 3/8" x 56 9/16"	48" x 32"	48 3/4" x 33 3/16"	80" x 32"	79 7/8" x 33 3/16"

*Note: Based on 8" x 8" nominal glass block.

INSTALLATION & CLEANING RECOMMENDATIONS

- Make sure weep holes are on the exterior and at the bottom.
- Use a detergent-water solution and soft rag or brush to remove dust, dirt, smoke film, soot or salt spray from vinyl frame surfaces.
- For glass surfaces, follow common window-cleaning procedures using warm soapy water or a branded glass cleaning product.
- Protect LightWise® Windows from power washing and acid cleaning of surrounding walls.

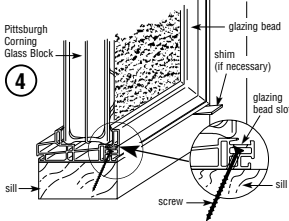


Renovation Installation Instructions

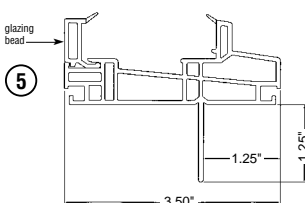
- Certain renovation installations will require that the existing window opening be reduced in size to accommodate one of the rough opening window sizes noted in sizing chart. This is accomplished by fastening wood bucks inside the existing opening.
- If the wood bucks are at least 1 1/2" thick, the LightWise® window may be installed by screwing through the vinyl frame's integral nailing fin. See **Figure 4**.

- On some renovation installations, the integral nailing fin may have to be removed to insert the LightWise® window into the existing opening. Score the fin with a razor knife and snap it off.
 - Remove the glazing beads by prying them out carefully to avoid damage to the frame and glass. Locate the center of the glazing bead and carefully insert the tip of one putty knife into the joint between the frame and the glazing bead. Now insert the second putty knife tip into the opening and work it between the bead and the frame until the bead comes loose. See **Figure 5**.
 - Insert the window into the rough opening from the inside of the room. Shim and level vinyl frame as necessary.
 - The vinyl frame will be secured with screws through the glazing bead slot. See **Figure 4**. Drill pilot holes on an angle through the frame as illustrated. Drill holes for screws 6" from each corner and no more than 12" on center in between.
 - Secure the vinyl frame in the rough opening using #8 x 2" long galvanized screws.
 - After all screws are in place, make sure to clean out the glazing bead slot areas of any vinyl pieces that may have fallen as a result of screwing through the frame. Reinstall the glazing bead, fitting each length carefully and securely into the glazing bead slot. Pay particular attention at the premeasured corners to assure a neat, professional fit.

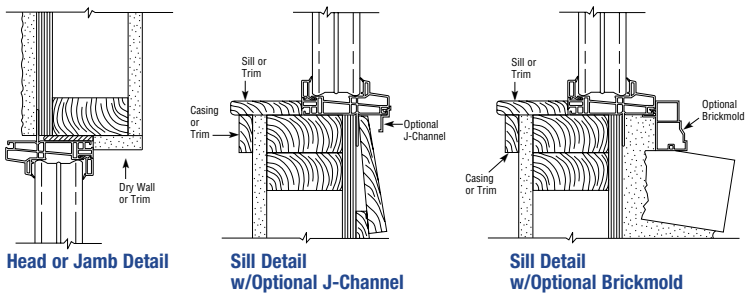
Securing Vinyl Frame



Frame Profile



Finishing and Accessories



Safety Glazing Test

ANSI Z97.1	Passed 12", 18" and 48" drops		
CPSC-16-CFR 1201	Passed 48" drop		
AAMA/NWWDA 101/I.S. 2-97			
AAMA Designation	Air Test (PSF)	Water Test (PSF)	Design Load (PSF)
F-R 70 56 x 56	6.24	12.00	70.0
F-R 70 32 x 80	6.24	12.00	70.0

Note: Wood blind stops (1" x 1 1/2") will be required over the nailing fins in areas where the design wind load is over 55 PSF.



800 Presque Isle Drive
Pittsburgh, PA 15239
724-327-6100

LightWise® logo is a registered trademark owned and protected by Pittsburgh Corning Corporation, Pittsburgh, PA 15239
© 2004 Pittsburgh Corning Corporation